
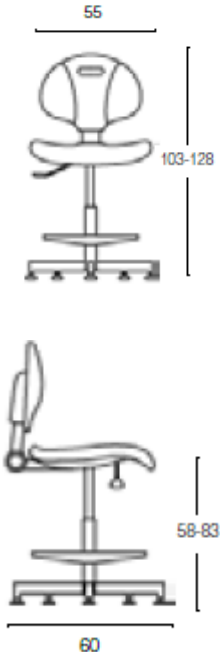


GRENDENE

CHAIRS

TECHNICAL SHEET MOD. 1200		
DESCRIPTION	: Ergonomic polyurethane stool with glides	
BASE	: 5 – spoke chromed steel base, semi – oval tube 40x20x1,5	
GLIDES	: Polypropylene glides with steel insert	
GAS LIFT	: Chromed steel pipe Ø 50x1,5 Gas height adjustment stroke 265 mm	
FOOTREST	: Satinized aluminum adjustable footrest	
PLATE	: Plate in pressed sheet metal 30/10 thickness, painted	
SEAT AND BACKREST	: Polyurethane foam, ergonomic and non-slip	
PACKAGING	: N° 01 piece per carton	

WEIGHT	:	Kg 13
VOLUME	:	Cbm 0,13

All measurements are to be considered indicative.

The measures vary according to the finish of the product and the presence of wheels or feet.