
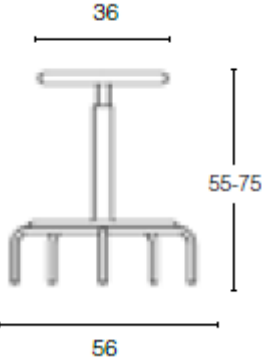


# GRENDENE

CHAIRS

TECHNICAL SHEET		
MOD. 1108		
BEECH STOOL		
DESCRIPTION	:	Beech stool in multilayers of beech wood
STRUCTURE	:	Chromed steel pipe
BASE	:	Chromed 5-leg base, round pipe Ø 20 mm 1,5 mm thick, with welded footing in pipe Ø 14 mm; footing Ø 460 mm
GAS SPRING	:	Chromed steel pipe Ø 50x1,5 Gas high adjustment, stroke 200
SEAT	:	Round seat Ø 36 cm in multilayers of beech and poplar wood 18 mm thick
PACKAGING	:	N. 01 per carton
WEIGHT	:	Kg 7
CUBAGE	:	Cbm 0,08


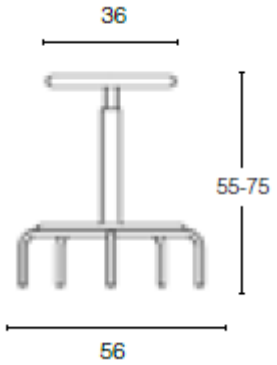
All measurements must be considered indicative.

Measures vary according to the finish of the product and the presence of castors or glides.

Update Dec. 202

# GRENDENE

CHAIRS

<p>TECHNICAL SHEET</p> <p>MOD. 1108</p> <p>PADDED VERSION</p>		
<p>DESCRIPTION</p>	<p>: Padded stool</p>	
<p>STRUCTURE</p>	<p>: Chromed steel pipe</p>	
<p>BASE</p>	<p>: 5-leg chromed base, round pipe <math>\varnothing</math> 20 mm - 1,5 mm thick, with welded footing in pipe <math>\varnothing</math> 14 mm; ring <math>\varnothing</math> 460 mm</p>	
<p>GAS SPRING</p>	<p>: Chromed steel pipe <math>\varnothing</math> 50x1,5 Gas high adjustment stroke 200</p>	
<p>INTERNAL SEAT</p>	<p>: Multilayers of beech and poplar wood 15 mm thick</p>	
<p>PADDINGS</p>	<p>: Polyurethane resin Seat 40 mm thick Density 30</p>	
<p>UPHOLSTERY</p>	<p>: According to upholstery chart</p>	
<p>PACKAGING</p>	<p>: 01 per carton</p>	


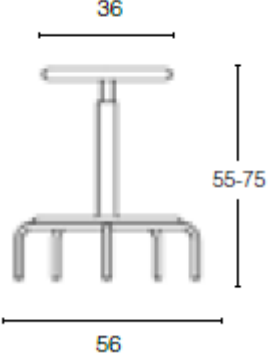
WEIGHT	:	Kg 7
CUBAGE	:	Cbm 0,08

All measurements must be considered indicative.  
Measures vary according to the finish of the product and the presence of castors or glides.

Update Dec. 202

# GRENDENE

CHAIRS

<p>TECHNICAL SHEET</p> <p>MOD. 1108</p> <p>POLYURETHANE</p>		
<p>DESCRIPTION</p>	<p>: Padded stool</p>	
<p>STRUCTURE</p>	<p>: Chromed steel pipe</p>	
<p>BASE</p>	<p>: 5-leg chromed base, round pipe <math>\varnothing</math> 20 mm - 1,5 mm thick, with welded footing in pipe <math>\varnothing</math> 14 mm; ring <math>\varnothing</math> 460 mm</p>	
<p>GAS SPRING</p>	<p>: Chromed steel pipe <math>\varnothing</math> 50x1,5 Gas high adjustment stroke 200</p>	
<p>INTERNAL SEAT</p>	<p>: Multilayers of beech and poplar wood 15 mm thick</p>	
<p>PADDINGS</p>	<p>: Polyurethane resin Seat 40 mm thick Density 30</p>	
<p>UPHOLSTERY</p>	<p>: Integral black polyurethane</p>	
<p>PACKAGING</p>	<p>: 01 per carton</p>	

WEIGHT	:	Kg 7
CUBAGE	:	Cbm 0,08

All measurements must be considered indicative.

Measures vary according to the finish of the product and the presence of castors or glides.

Update Dec. 202