
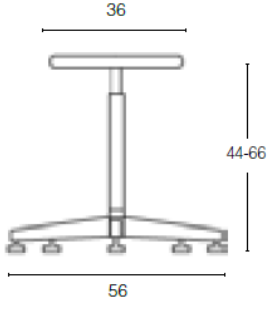

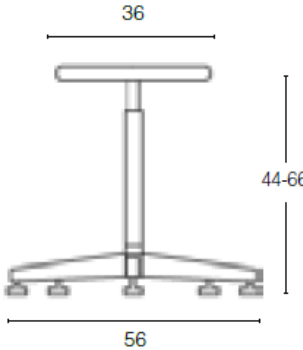


<p>TECHNICAL SHEET</p> <p>MOD. 1100T</p> <p>BEECH WOOD</p>		
<p>DESCRIPTION</p> <p>BASE</p> <p>GLIDES</p> <p>GAS PSRING</p> <p>PLATE</p> <p>SEAT</p> <p>BACKREST FRAME</p> <p>PACKAGING</p> <p>WEIGHT</p> <p>CUBAGE</p>	<p>: Stool with round seat in beechwood, with glides</p> <p>: 5-spoke chromed base, semi-oval pipe 40x20x1,5</p> <p>: Polypropylene glides with steel insert</p> <p>: Chromed steel pipe Ø 50x1,5 Gas high adjustment stroke 200 mm</p> <p>: Plate in pressed sheet metal 30/10 thick, painted with epoxy powder</p> <p>: Multilayers of beech wood 8 mm thick</p> <p>: Chromed steel rod Ø 10 mm, in height and depth adjustable</p> <p>: N° 01 piece per carton</p> <p>: Kg 8</p> <p>: Cbm 0,08</p>	

All measurements must be considered indicative.

Measures vary according to the finish of the product and the presence of castors or glides.


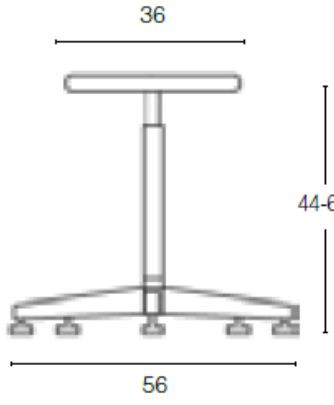
<p>TECHNICAL SHEET</p> <p>MOD. 1100T</p> <p>PADDED VERSION</p>		
<p>DESCRIPTION</p> <p>BASE</p> <p>GLIDES</p> <p>GAS SPRING</p> <p>PLATE</p> <p>INTERNAL SEAT</p> <p>PADDINGS</p>	<p>: Stool with padded and upholstered seat, with glides</p> <p>: 5-spoke chromed base, semi-oval pipe 40x20x1,5</p> <p>: Polypropylene with steel insert</p> <p>: Chromed steel pipe Ø 50x1,5 Gas high adjustment stroke 200 mm</p> <p>: Plate in pressed sheet metal 30/10 thick, chromed</p> <p>: Multilayers of beech and poplar wood 15 mm thick</p> <p>: Polyurethane resin Seat 50 mm thick Density 40</p>	
<p>UPHOLSTERY</p> <p>PACKAGING</p>	<p>: According to upholstery chart</p> <p>: N° 01 piece per carton</p>	

WEIGHT	:	Kg 8
CUBAGE	:	Cbm 0,08

All measurements must be considered indicative.
Measures vary according to the finish of the product and the presence of castors or glides.

GRENDENE

CHAIRS

<p>TECHNICAL SHEET</p> <p>MOD. 1100T</p> <p>POLYURETHANE</p>		
<p>DESCRIPTION</p> <p>BASE</p> <p>GLIDES</p> <p>GAS SPRING</p> <p>PLATE</p> <p>INTERNAL SEAT</p> <p>PADDINGS</p>	<p>: Stool with polyurethane round seat, with glides</p> <p>: 5-spoke chromed base, semi-oval pipe 40x20x1,5</p> <p>: Polypropylene with steel insert</p> <p>: Chromed steel pipe Ø 50x1,5 Gas high adjustment stroke 200 mm</p> <p>: Plate in pressed sheet metal 30/10 thick, chromed</p> <p>: Multilayers of beech and poplar wood 10 mm thick</p> <p>: Integral black polyurethane</p>	
<p>PACKAGING</p>	<p>: N° 01 piece per carton</p>	

WEIGHT	:	Kg 8
CUBAGE	:	Cbm 0,08

All measurements must be considered indicative.
Measures vary according to the finish of the product and the presence of castors or glides.